

item	name	qty	item	name	qty
1	tapping screw	3	17	hex-socket bolt	2
2	column cover	1	18	hex-socket bolt	2
3	aluminium column	1	19	wheel set	1
4	steel rack	1	20	hex-socket bolt	4
5	track	2	21	bearing	4
6	screw	20	22	nut	4
7	hex-socket bolt	6	23	washer	4
8	hex-socket bot	2	24	support bar	2
9	washer	7	25	hex-socket bolt	2
10	column fixing plate	1	26	clammer A	1
11	baseplate	1	27	grip	1
12	hex bolt	4	28	hex-socket bolt	1
13	nut	4	29	clammer middle	1
14	washer	4	30	clammer B	1
15	hex-socket bolt	4	31	hex bolt	1
16	base fixing adapter	2			



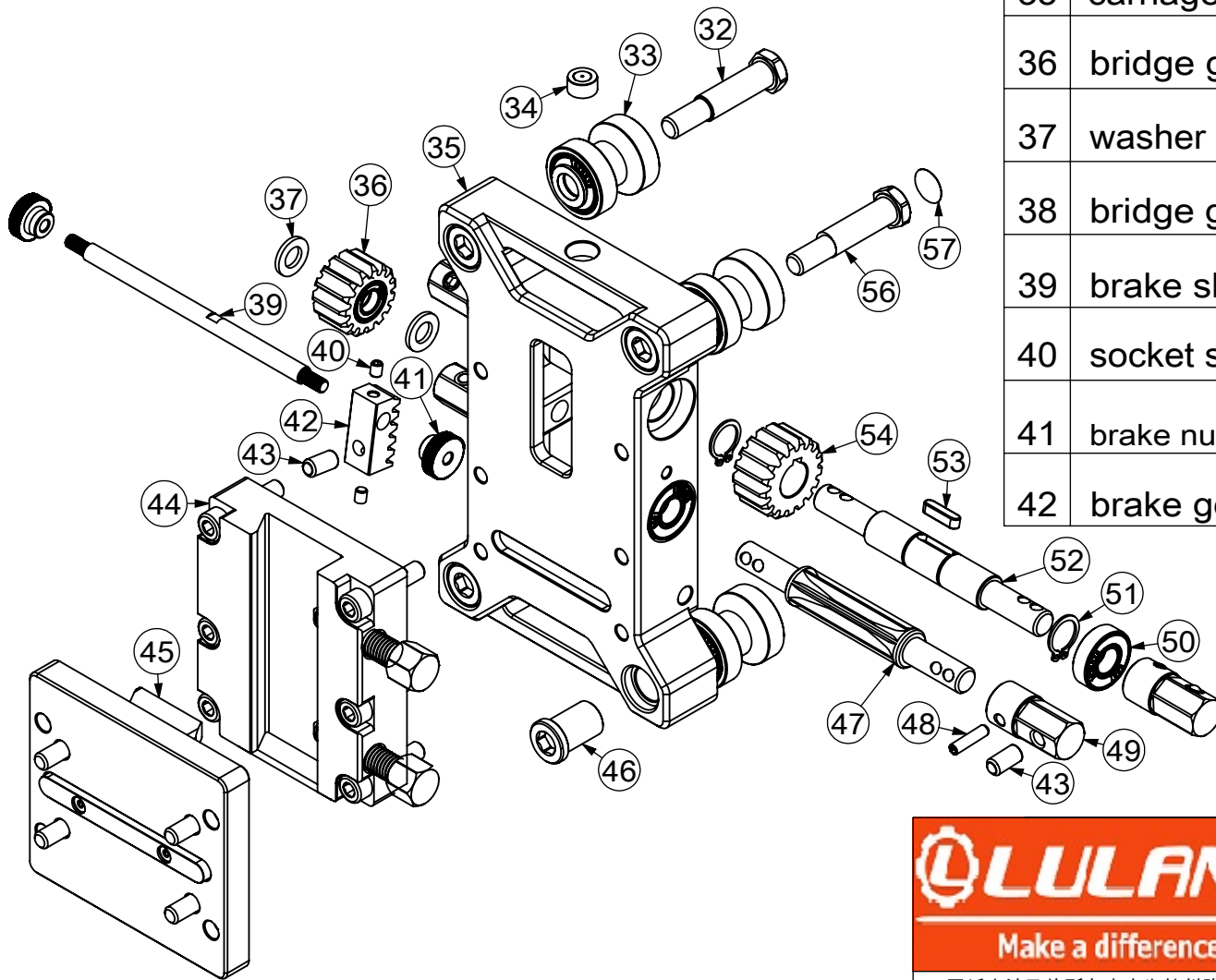
Projection	
NAME	DATE
DRAWN Rick hu	19.03.01

杭州路朗机械科技有限公司
 Name:
 Aline 39 Exploded view

图纸中涉及的所有内容为杭州路朗机械科技有限公司知识产权所有。任何个人和单位在未得到本公司书面许可的情况下，不得抄袭、复制或另作它用，否则本公司有权提起诉讼。

CHECKED	
Material:	

NO.	REV. A4
SCALE:1:6	WEIGHT: Kg
SHEET 1 OF 1	



item	name	qty	item	name	qty
32	shaft	2	43	socket ball screw	5
33	roller	4	44	fixing plate	1
34	level	1	45	motor plate	1
35	carriage	1	46	socket nut	4
36	bridge gear	1	47	gear	1
37	washer	2	48	pin	4
38	bridge gear shaft	1	49	hex piece	4
39	brake shaft	1	50	bearing	4
40	socket set screw	2	51	circlip	2
41	brake nut	2	52	main shaft	1
42	brake gear	1	53	key	1
			54	main gear	1
			55	socket set screw	2
			56	eccentric shaft	2
			57	scale	2



Projektion	
NAME	DATE
DRAWN Rick hu	19.03.01

杭州路朗机械科技有限公司
 Name:
 Aline 39 Exploded view

图纸中涉及的所有内容为杭州路朗机械科技有限公司知识产权所有。任何个人和单位在未得到本公司书面许可的情况下，不得抄袭、复制或另作它用，否则本公司有权提起诉讼。

CHECKED	
Material:	

NO.	REV. A4
SCALE:1:3	WEIGHT: Kg
SHEET 1 OF 1	